

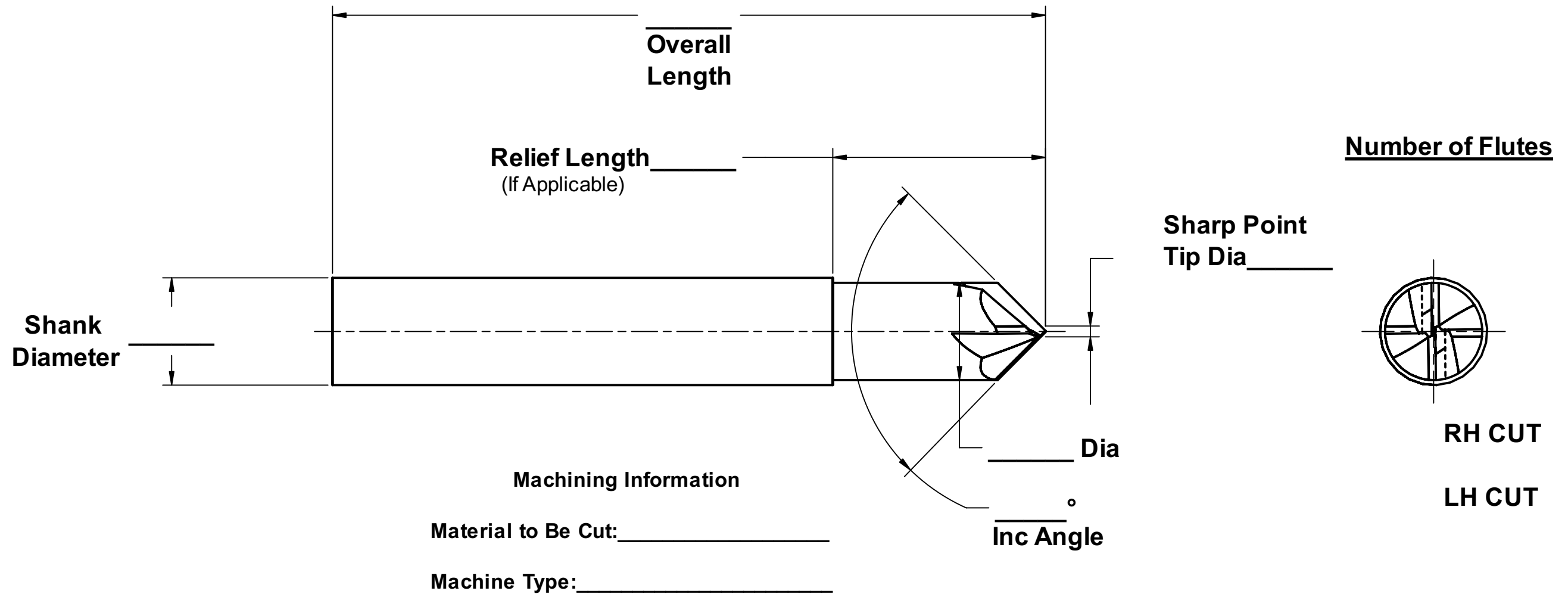
Additional Notes:



Please click here to email print to:  
[Manufacturing@BHID.COM](mailto:Manufacturing@BHID.COM)

B/P# \_\_\_\_\_  
 (If Applicable)

# Chamfer Tool / Drill Mill Template



Tool Material Options

Coatings

All Dimensions are in    Inch    Metric

Tolerances U.O.S.

.0	+/- .03
.00	+/- .010
.000	+/- .003
.0000	+/- .0005
Frac	+/- 1/32
Angular	+/- 1/2 deg

Customer Information

Company: \_\_\_\_\_

Name: \_\_\_\_\_

Phone: \_\_\_\_\_

Email: \_\_\_\_\_

Req'd Delivery Date: \_\_\_\_\_

Quote Qty: \_\_\_\_\_