

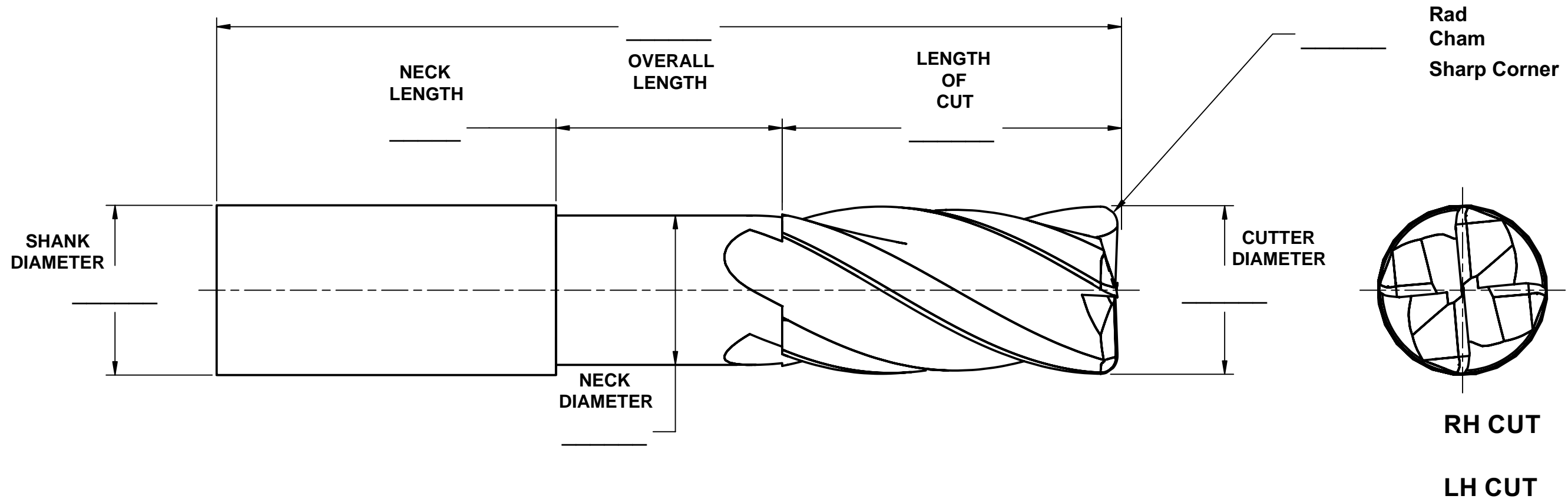
Additional Notes:



PLEASE SAVE AND EMAIL TO:  
XPRESSQUOTE@BHID.COM

B/P# \_\_\_\_\_  
(If Applicable)

# Endmill Template



### Machining Information

Material to Be Cut: \_\_\_\_\_

Machine Type: \_\_\_\_\_

### Customer Information

Company: \_\_\_\_\_

Name: \_\_\_\_\_

Phone: \_\_\_\_\_

Email: \_\_\_\_\_

Req'd Delivery Date: \_\_\_\_\_

Quote Qty: \_\_\_\_\_

### Tool Material Options

### Coatings

### Number of Flutes

### Tolerances U.O.S.

.0	+/- .03
.00	+/- .010
.000	+/- .003
.0000	+/- .0005
Frac	+/- 1/32
Angular	+/- 1/2 deg

All Dimensions are in      Inch      Metric