

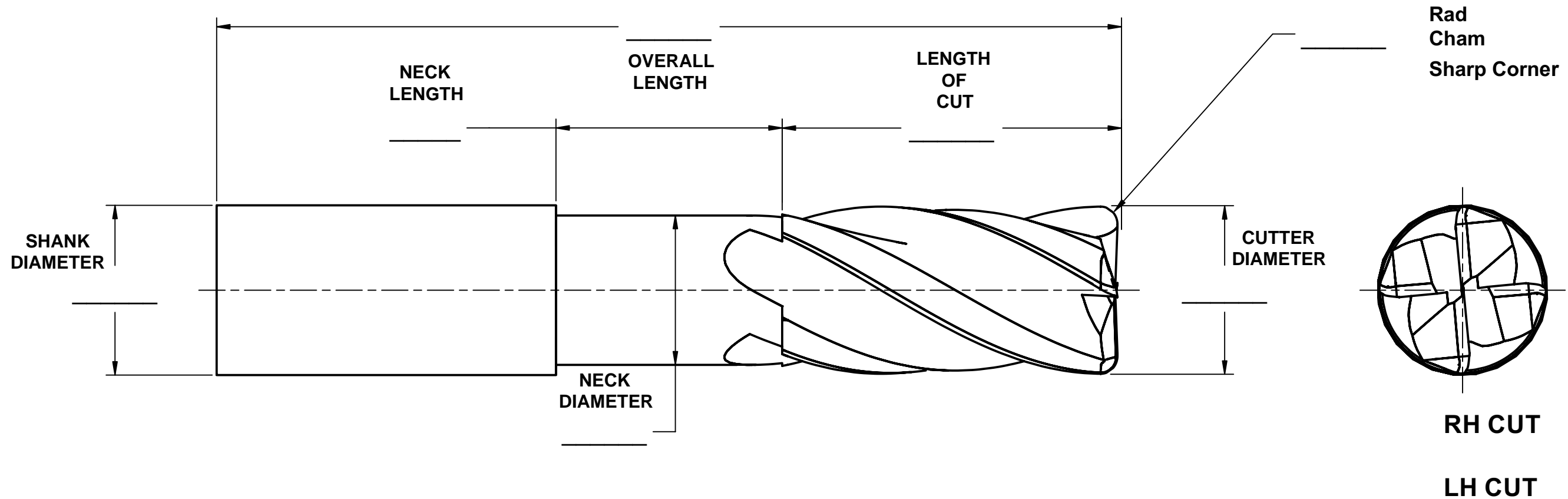
Additional Notes:



Please click here to email print to:
Manufacturing@BHID.COM

B/P# _____
 (If Applicable)

Endmill Template



Machining Information

Material to Be Cut: _____

Machine Type: _____

Customer Information

Company: _____

Name: _____

Phone: _____

Email: _____

Req'd Delivery Date: _____

Quote Qty: _____

Tool Material Options

Coatings

Number of Flutes

All Dimensions are in Inch Metric

Tolerances U.O.S.

.0	+/- .03
.00	+/- .010
.000	+/- .003
.0000	+/- .0005
Frac	+/- 1/32
Angular	+/- 1/2 deg