

Additional notes:

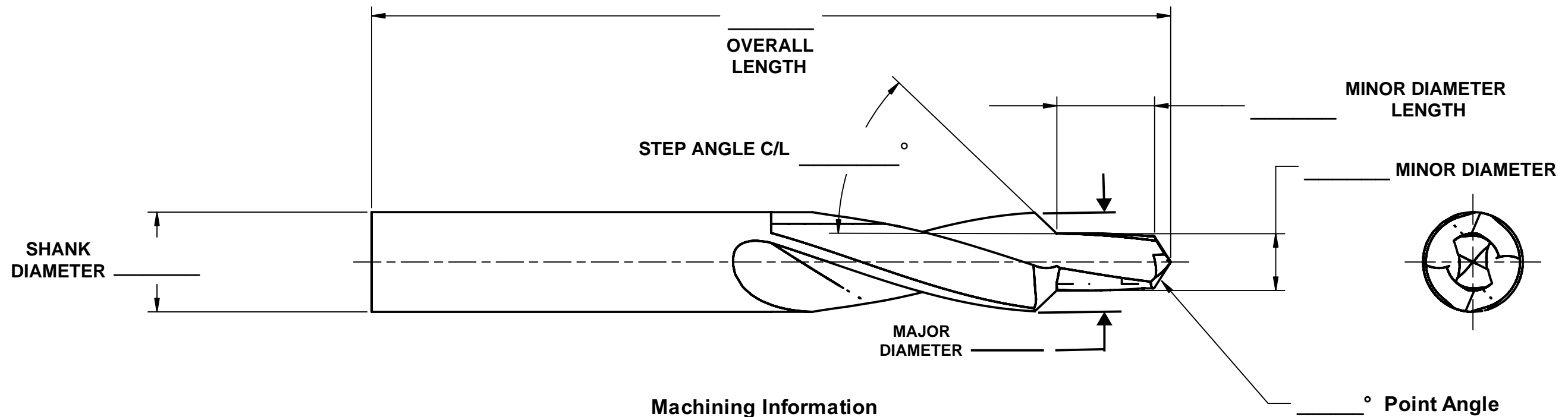


Please save and email to:
XpressQuote@BHID.Com

B/P# _____

(If Applicable)

Step Drill Template



Machining Information

Material to Be Cut: _____

Machine Type: _____

Tool Material Options

Coatings

Number of Flutes

Tolerances U.O.S.

.0	+/- .03
.00	+/- .010
.000	+/- .003
.0000	+/- .0005
Frac	+/- 1/32
Angular	+/- 1/2 deg

All Dimensions are in Inch Metric

___ Please check here for Coolant Thru

Customer Information

Company: _____

Name: _____

Phone: _____

Email: _____

Req'd Delivery Date: _____

Quote Qty: _____